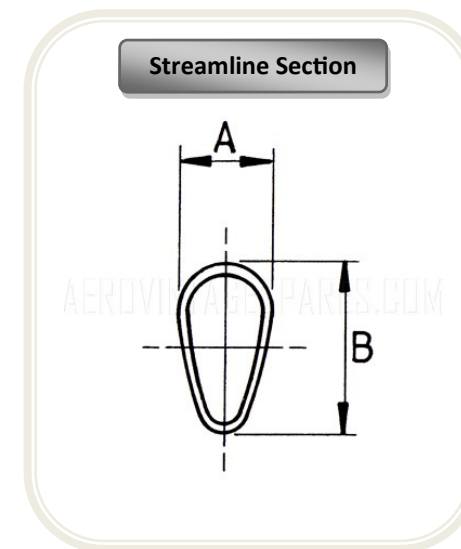
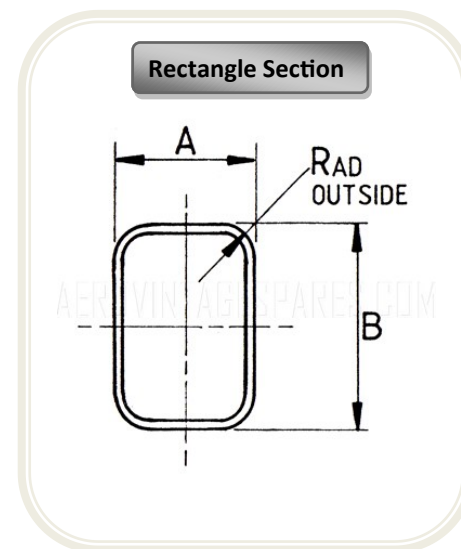
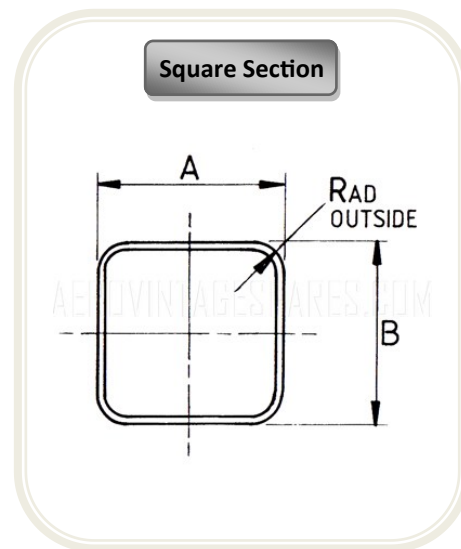
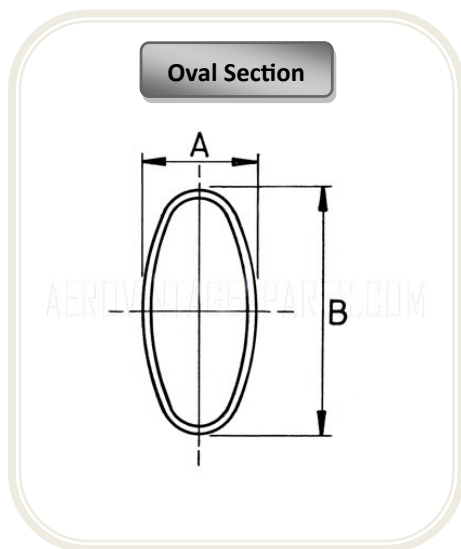




## Streamline Tubing & Rolled Aircraft Sections



We have acquired all of the Accles & Pollock tooling to manufacture Oval and Streamline sections

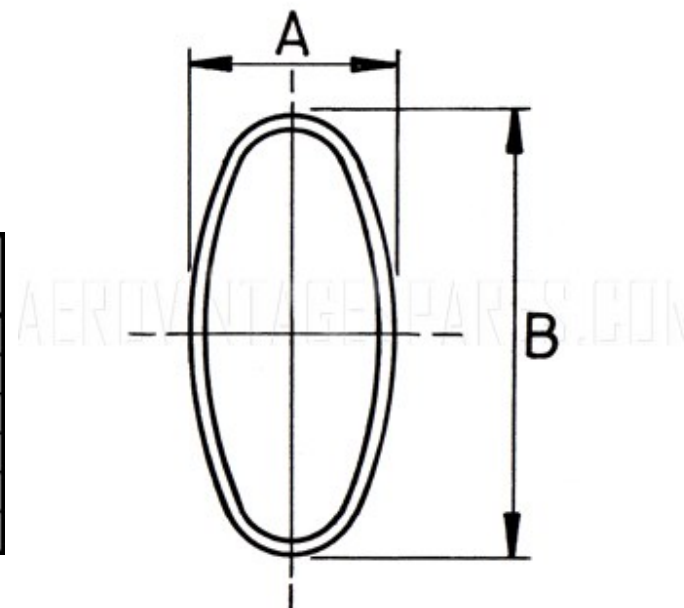
We are now able to produce the majority of the circa 300 sections that they originally produced from tooling dating back to the first world war, however some of the tooling is in poor condition and will need replacing or reconditioning therefore if you require a specific section that you do not see listed please contact us.

## Oval Rolled Aircraft Sections

We have acquired all of the Accles & Pollock tooling to manufacture Oval and Streamline sections

We are now able to produce the majority of the circa 300 sections that they originally produced from tooling dating back to the first world war, however some of the tooling is in poor condition and will need replacing or reconditioning therefore if you require a specific section that you do not see listed please contact us.

Stock No.	Dimensions in inches		Equivalent tube diameter (inches)	Original Designation
	A	B		
OVL001	0.40	1.0	3/4	1004
OVL002	0.60	1 ½	1.1/8	1006
OVL003	13/16	2.015	1 ½	1008
OVL004	0.268	0.687	½	1002
OVL005	0.750	1¼	1.0	P 261
OVL006	0.375	0.616	½	DH T/EDGE



Oval Rolled Aircraft Section Info:

Above is an indication of some popular Oval sections and their dimensions that we have previously produced.

We can make all special sections in random lengths (usually up to 10ft) in aluminium, steel or stainless steel.

We can typically make any section from tube of between 22-17SWG

Please also note that these items are made to order and not held in stock, as such expect delays of between two week or more for unusual sizes.

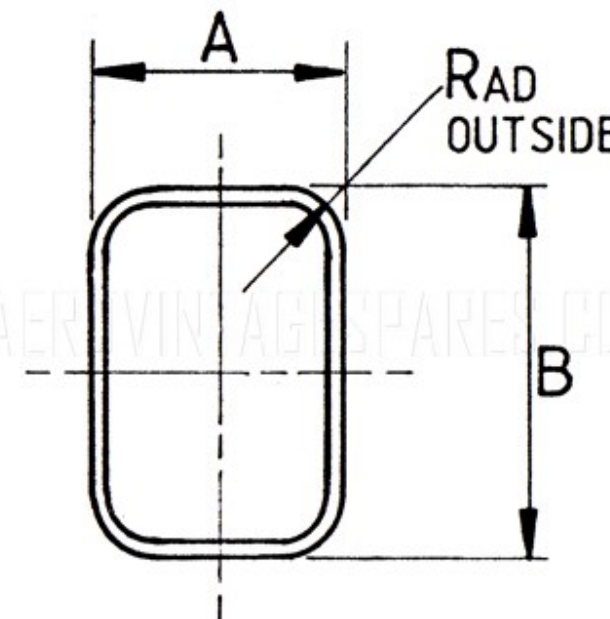
To make an enquiry regarding availability or any special requirements that you may have please [contact](#) us >>

## Rectangle Rolled Aircraft Sections

We have acquired all of the Accles & Pollock tooling to manufacture Oval and Streamline sections

We are now able to produce the majority of the circa 300 sections that they originally produced from tooling dating back to the first world war, however some of the tooling is in poor condition and will need replacing or reconditioning therefore if you require a specific section that you do not see listed please contact us.

Stock No.	Dimensions in inches			Equivalent tube diameter (inches)	Original Designation
	A	B	Rad		
RCT001	57/64	1.9/32	¼	1¼	E
RCT002	0.893	1.3/32	¼	1.1/8	H
RCT003	0.67	0.89	7/32	7/8	J
RCT004	11/16	7/8	7/32	7/8	K
RCT005	0.759	1.0	7/32	1.0	L
RCT006	0.991	1.3/16	¼	1¼	M
RCT007	0.991	1.3/8	¼	1.3/8	Q
RCT008	1.089	1.9/32	¼	1.3/8	R
RCT009	1.187	1.3/8	¼	1¼	S
RCT010	0.795	1.3/16	¼	1.1/8	T
RCT011	1¼	1.31/32	3/8	2.0	V
RCT012	1¼	1.9/16	3/8	1¼	W
RCT013	1.0	1.9/16	¼	1½	X
RCT014	1.0	1.5/16	0.18	1.3/8	Y



### Rectangle Rolled Aircraft Section Info:

Above is an indication of some popular Rectangle sections and their dimensions that we have previously produced.

We can make all special sections in random lengths (usually up to 10ft) in aluminium, steel or stainless steel. We can typically make any section from tube of between 22-17SWG

Please also note that these items are made to order and not held in stock, as such expect delays of between two week or more for unusual sizes.

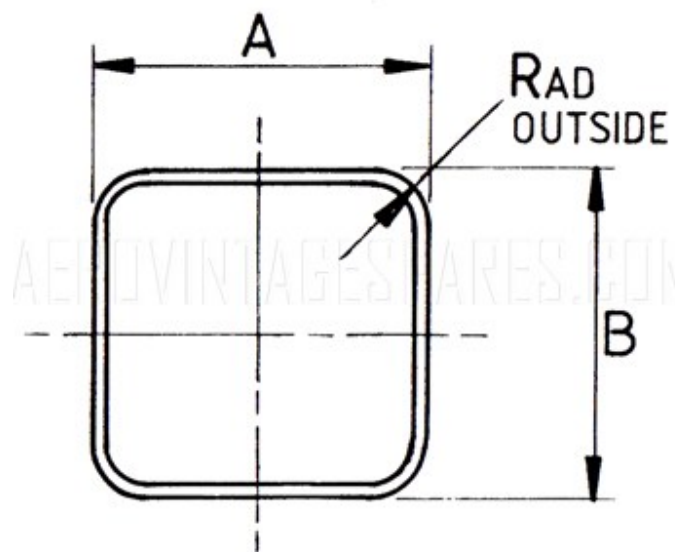
To make an enquiry regarding availability or any special requirements that you may have please [contact](#) us >>

## Square Rolled Aircraft Sections

We have acquired all of the Accles & Pollock tooling to manufacture Oval and Streamline sections

We are now able to produce the majority of the circa 300 sections that they originally produced from tooling dating back to the first world war, however some of the tooling is in poor condition and will need replacing or reconditioning therefore if you require a specific section that you do not see listed please contact us.

Stock No.	Dimensions in inches			Equivalent tube diameter (inches)	Original Designation
	A	B	Rad		
SQS001	25/32	25/32	7/32	7/8	A
SQS002	7/8	7/8	7/32	1.0	B
SQS003	1.0	1.0	¼	1.1/8	C
SQS004	1.3/32	1.3/32	¼	1¼	D
SQS005	1.3/16	1.3/16	¼	1.3/8	F
SQS006	1.9/32	1.9/32	¼	1½	G
SQS007	1.3/8	1.3/8	¼	1.5/8	N
SQS008	43/64	43/64	3/16	¼	U



### Square Rolled Aircraft Section Info:

Above is an indication of some popular Square sections and their dimensions that we have previously produced.

We can make all special sections in random lengths (usually up to 10ft) in aluminium, steel or stainless steel. We can typically make any section from tube of between 22-17SWG

Please also note that these items are made to order and not held in stock, as such expect delays of between

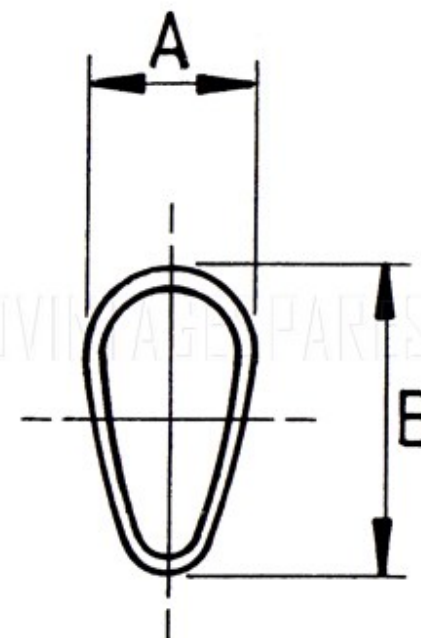
To make an enquiry regarding availability or any special requirements that you may have please [contact](#) us >>

## Streamlined Rolled Aircraft Sections

We have acquired all of the Accles & Pollock tooling to manufacture Oval and Streamline sections

We are now able to produce the majority of the circa 300 sections that they originally produced from tooling dating back to the first world war, however some of the tooling is in poor condition and will need replacing or reconditioning therefore if you require a specific section that you do not see listed please contact us.

Stock No.	Dimensions in inches		Equivalent tube diameter (inches)	Original Designation
	A	B		
SLS001	0.28	0.55	7/6	121
SLS002	7/8	1.39/64	1.¼	126
SLS003	0.714	2.10	1.½	209
SLS004	23/64	5/8	½	239
SLS005	0.772	2.067	1.½	105
SLS006	0.596	1.724	1.¼	106



### Streamlined Rolled Aircraft Section Info:

Above is an indication of some popular Streamline sections and their dimensions that we have previously produced.

We can make all special sections in random lengths (usually up to 10ft) in aluminium, steel or stainless steel. We can typically make any section from tube of between 22-17SWG

Please also note that these items are made to order and not held in stock, as such expect delays of between two week or more for unusual sizes.

To make an enquiry regarding availability or any special requirements that you may have please [contact](#) us >>



## Tubular Rivets AGS 843 / 501 Information

Contact Us:

Aerovintagespares  
Unit 11  
Wheel Farm Business Park  
Westfield  
East Sussex  
TN35 4SE

Email: [enquiries@aerovintagespares.com](mailto:enquiries@aerovintagespares.com)  
Tel: +44 (0) 1424 755898